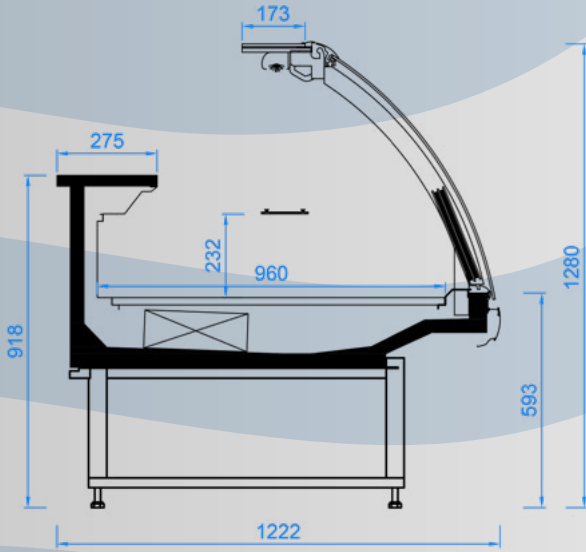


Curved Glass Freezer (Simena 2DF)



Curved Glass Freezer

4' / 6' / 8' / 12'

Temperature Class & Rating

L1 = -23/-25°C

EN ISO 23953-2

Climate Class 3

25°C - 60% RH (Store Conditions)

Dimensions

Exterior Height	1285 mm
Exterior Depth	1222 mm
Base Height	593 mm
Patch End Thickness	40 mm

Cabinet Lengths Between Ends

4'	1250 mm
6'	1875 mm
8'	2500 mm
12'	3750 mm

Refrigeration Requirements

4'	563 Watts @ -35°C
6'	844 Watts @ -35°C
8'	1125 Watts @ -35°C
12'	1688 Watts @ -35°C
Inlet Pipe	1/4"
Outlet Pipe	1/2"

General

Lighting
Refrigerant

T8 Tube- LED
R404A / R507A
R448A / R449A
CO²

Electrical Requirements (w)

Cabinet length in (Ft)	4'	6'	8'	12'
Fans - standard	48	72	96	144
Heaters	785	953	1170	1555
Canopy lights	18	26	36	54
Lights per Shelf per Row	n/a	n/a	n/a	n/a

