

Jumbo Island Freezer (Mindos)



Jumbo Island

8'/ 12' + Crown end

Temperature Class & Rating

L1 = -23/-25°C

EN ISO 23953-2

Climate Class 3

25°C - 60% RH (Store Conditions)

Dimensions

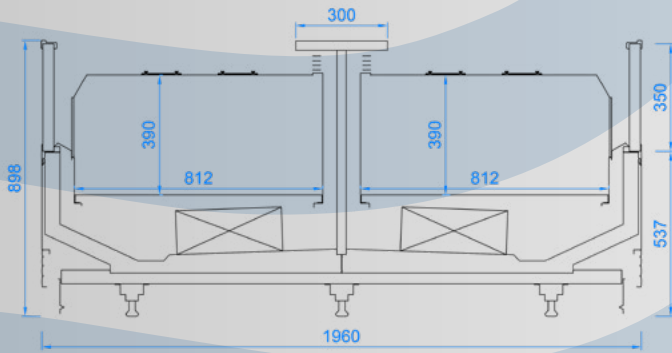
Exterior Height	898 mm
Exterior Width	1960 mm
Base Height	537 mm
Patch End Thickness	60 mm

Cabinet Lengths Between Ends

Crown end	1900 mm
8'	2500 mm
12'	3750 mm

Refrigeration Requirements

Crown end	1590 Watts @ -35°C
8'	2188 Watts @ -35°C
12'	3281 Watts @ -35°C
Inlet Pipe	3/8"
Outlet Pipe	5/8"



General

Lighting	T8 Tube- LED
Refrigerant	R404A / R507A R448A / R449A CO ²

Electrical Requirements (w)

Cabinet length in (Ft)	CE	8'	12'
Fans - standard	72	144	216
Heaters	2389	2389	3537
Canopy lights	n/a	n/a	n/a
Lights per Shelf per Row	n/a	n/a	n/a

